

Project: \_\_\_\_\_

Fixture Type: \_\_\_\_\_

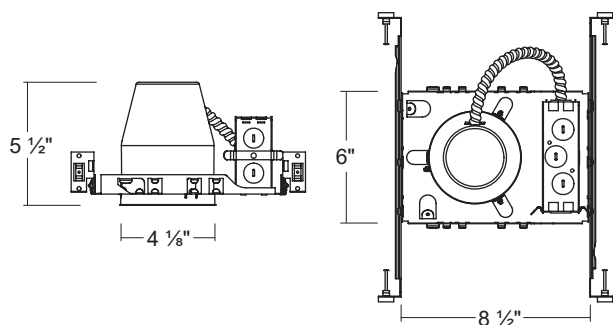
Location: \_\_\_\_\_

Contact/Phone: \_\_\_\_\_



## H400LGICQA

4" IC Incandescent New Construction Housing



L-tech 4" LED GU10 dedicated IC housing, H400LGICQA is designed for new construction using GU10 LED Max 10W and for direct contact with insulation.

### DESCRIPTION

#### Plaster Frame

- Galvanized steel construction. The housing can be removed from plaster frame to provide access to the junction box.

#### Junction Box

- Listed for through branch circuit wiring.
- Contains seven 7/8" knockouts and four Romex pryouts with strain relief.

#### Bar Hanger

- Pre-installed Real nail easily installs in regular lumber, engineered lumber.
- Bar hanger are adjustable from 13-5/8" to 25" and can be repositioned 90 degree on plaster frame.

#### Thermal Protector

- Self resetting thermal protector deactivates fixture if overheating occurs due to improper lamping or misapplied insulation.

#### Lamps

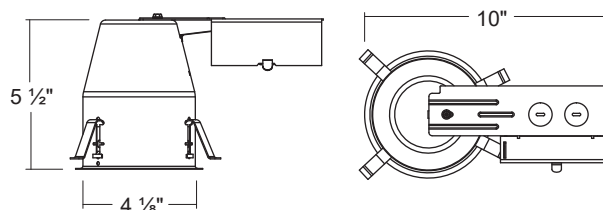
- GU 10 LED Max. 10W

#### Listings

- cULus Listed for Damp Location
- cULus Listed for Feed Through
- Certified under ASTM-E283 for Air tight construction

## H400LGRICQA

4" IC Incandescent Remodel Housing



L-tech 4" LED GU10 dedicated IC housing, H400LGRICQA is designed for remodel application using GU10 LED Max 10W and for direct contact with insulation.

### DESCRIPTION

#### Junction Box

- Listed for through branch circuit wiring.
- Contains one 1-1/8", six 7/8" knockouts and four Romex pryouts with strain relief.

#### Remodel Clips

- Four remodel clips secure housing and accommodates 1/2" and 5/8" ceiling materials.

#### Thermal Protector

- Self resetting thermal protector deactivates fixture if overheating occurs due to improper lamping or misapplied insulation.

#### Lamps

- GU 10 LED Max. 10W

#### Listings

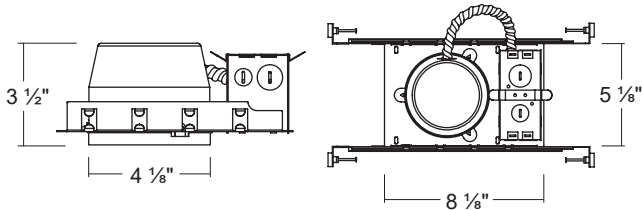
- cULus Listed for Damp Location
- cULus Listed for Feed Through
- Certified under ASTM-E283 for Air tight construction

Project: \_\_\_\_\_  
 Fixture Type: \_\_\_\_\_  
 Location: \_\_\_\_\_  
 Contact/Phone: \_\_\_\_\_



## H400LGSICQA

4" IC Incandescent New Construction Shallow Housing



L-tech 4" LED GU10 dedicated IC Shallow housing, H400LGSICQA is designed for new construction using GU10 LED Max 10W and for direct contact with insulation.

### DESCRIPTION

#### Plaster Frame

- Galvanized steel construction. The housing can be removed from plaster frame to provide access to the junction box.

#### Junction Box

- Listed for through branch circuit wiring.
- Contains one 1-1/8", one 5/8", three 7/8" knockouts and four Romex pryouts with strain relief.

#### Bar Hanger

- Pre-installed Real nail easily installs in regular lumber, engineered lumber.
- Bar hanger are adjustable from 13-5/8" to 25" and can be repositioned 90 degree on plaster frame.

#### Thermal Protector

- Self resetting thermal protector deactivates fixture if overheating occurs due to improper lamping or misapplied insulation.

#### Lamps

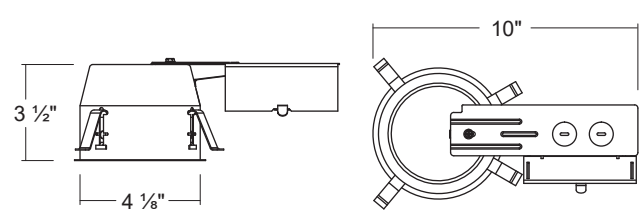
- GU 10 LED Max. 10W

#### Listings

- cULus Listed for Damp Location
- cULus Listed for Feed Through
- Certified under ASTM-E283 for Air tight construction

## H400LGSRICQA

4" IC Incandescent Remodel Shallow Housing



L-tech 4" LED GU10 dedicated IC Shallow housing, H400LGSRICQA is designed for remodel application using GU10 LED Max 10W and for direct contact with insulation.

### DESCRIPTION

#### Junction Box

- Listed for through branch circuit wiring.
- Contains one 1-1/8", six 7/8" knockouts and four Romex pryouts with strain relief.

#### Remodel Clips

- Four remodel clips secure housing and accommodates 1/2" and 5/8" ceiling materials.

#### Thermal Protector

- Self resetting thermal protector deactivates fixture if overheating occurs due to improper lamping or misapplied insulation.

#### Lamps

- GU 10 LED Max. 10W

#### Listings

- cULus Listed for Damp Location
- cULus Listed for Feed Through
- Certified under ASTM-E283 for Air tight construction